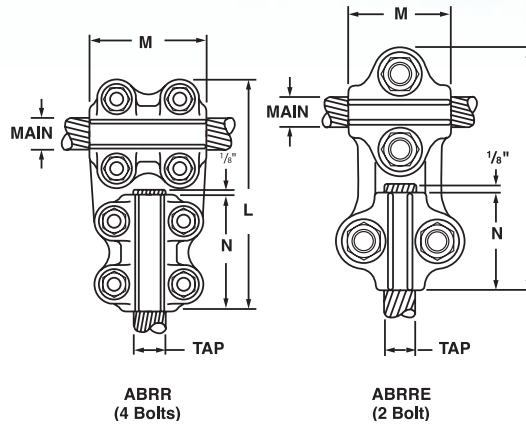


Bronze Tee Connectors

Types ABRR and ABRRE

For copper cable range to cable range

- Manufactured from high strength cast copper alloy
- Furnished with silicon bronze bolts, nuts, and lockwashers for corrosion resistance
- Cap on tap end can be rotated to utilize two grooves which accommodate a wide range of cable conductor sizes
- Captive bolt design permits single wrench installation
- For tin plating, suffix catalog number with “-TN”



Four Bolt Clamping

CATALOG NUMBER	COPPER CONDUCTOR RANGE (MAIN)	COPPER CONDUCTOR RANGE (TAP)	APPROXIMATE DIMENSIONS (IN.)			BOLT SIZE
			L	M	N	
ABRR-025	6 Sol. - 250 kcmil	6 Sol. - 250 kcmil	4.69	2.50	2.50	3/8
ABRR-025H			5.06	2.50	2.50	1/2
ABRR-050025	1/0 Sol. - 500 kcmil	6 Sol. - 250 kcmil	4.88	2.50	2.50	3/8
ABRR-050025H		6 Sol. - 250 kcmil	5.25	2.50	2.50	1/2
ABRR-050		1/0 Sol. - 500 kcmil	4.88	2.50	2.50	3/8
ABRR-050H		1/0 Sol. - 500 kcmil	5.25	2.50	2.50	1/2
ABRR-100025	4/0 Sol. - 1000 kcmil	6 Sol. - 250 kcmil	5.88	3.00	2.50	1/2
ABRR-100050		1/0 Sol. - 500 kcmil	5.88	3.00	2.50	1/2
ABRR-100		4/0 Sol. - 1000 kcmil	6.38	3.00	3.00	1/2
ABRR-200025	500 - 2000 kcmil	6 Sol. - 250 kcmil	6.13	3.00	2.50	1/2
ABRR-200050		1/0 Sol. - 500 kcmil	6.13	3.00	2.50	1/2
ABRR-200100		4/0 Sol. - 1000 kcmil	6.63	3.00	3.00	1/2
ABRR-200		500 - 2000 kcmil	6.63	3.00	3.00	1/2

Two Bolt Clamping

CATALOG NUMBER	COPPER CONDUCTOR RANGE (MAIN)	COPPER CONDUCTOR RANGE (TAP)	APPROXIMATE DIMENSIONS (IN.)			BOLT SIZE
			L	M	N	
ABRRE-050	1/0 Sol. - 500 kcmil	1/0 Sol. - 500 kcmil	4.31	1.75	1.75	3/8
ABRRE-050-025		6 Sol. - 250 kcmil	4.06		1.50	